

ADDENDUM NO. 1

January 31, 2018

RE: Greenaway Drain Enclosure
Project No. 17-019

FROM: Boss Engineering, on behalf of
City of Walled Lake
1499 E. West Maple Road
Walled Lake, MI
(248) 624-4847

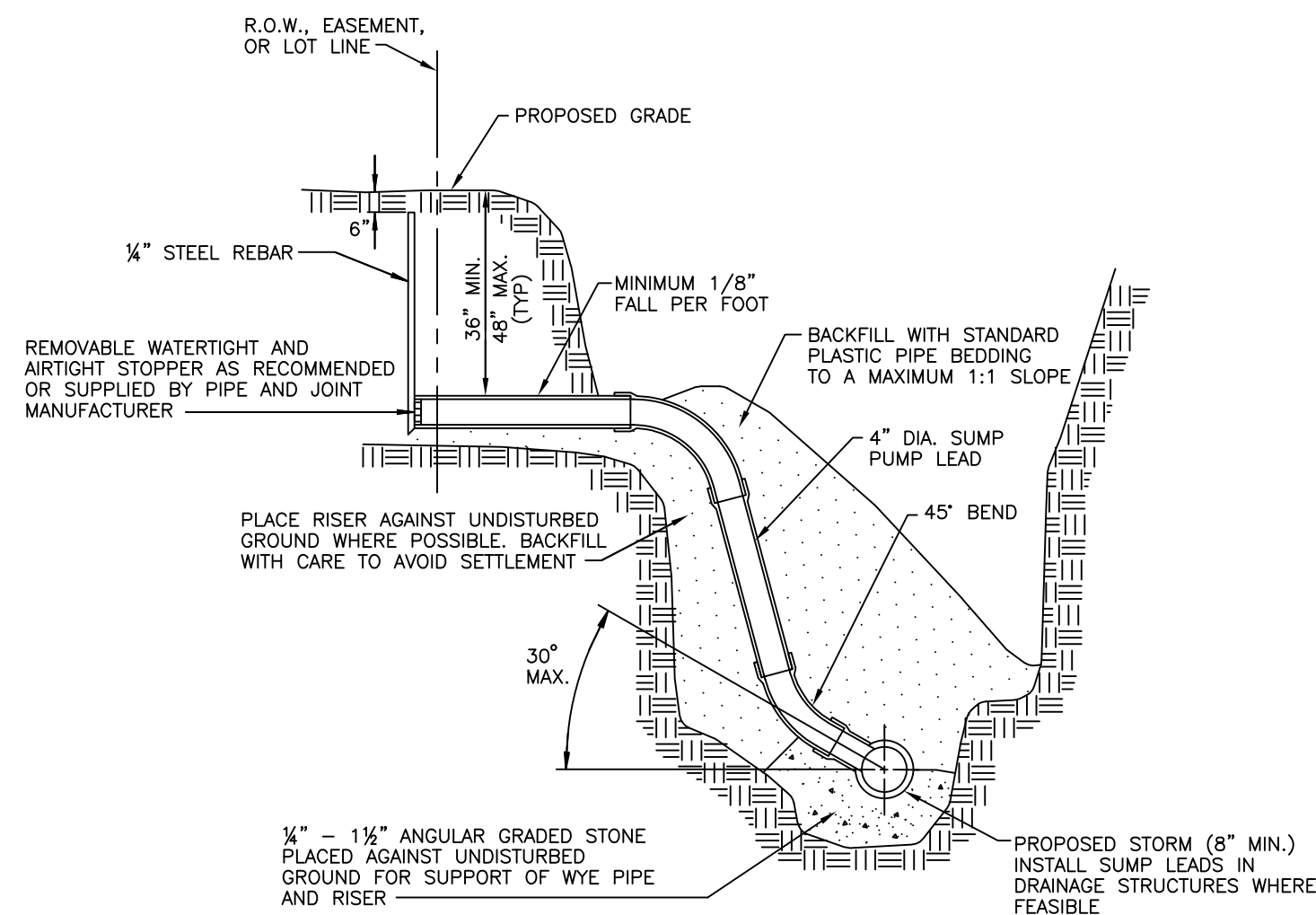
TO: Prospective Bidders

This Addendum shall be considered when bidding the subject project. Existing concrete flared end sections were recently installed and may be reusable. If they are not usable, alternative Work and related bid items may be required. As such, the following items may be necessary to complete the Work. Provide separate bids for:

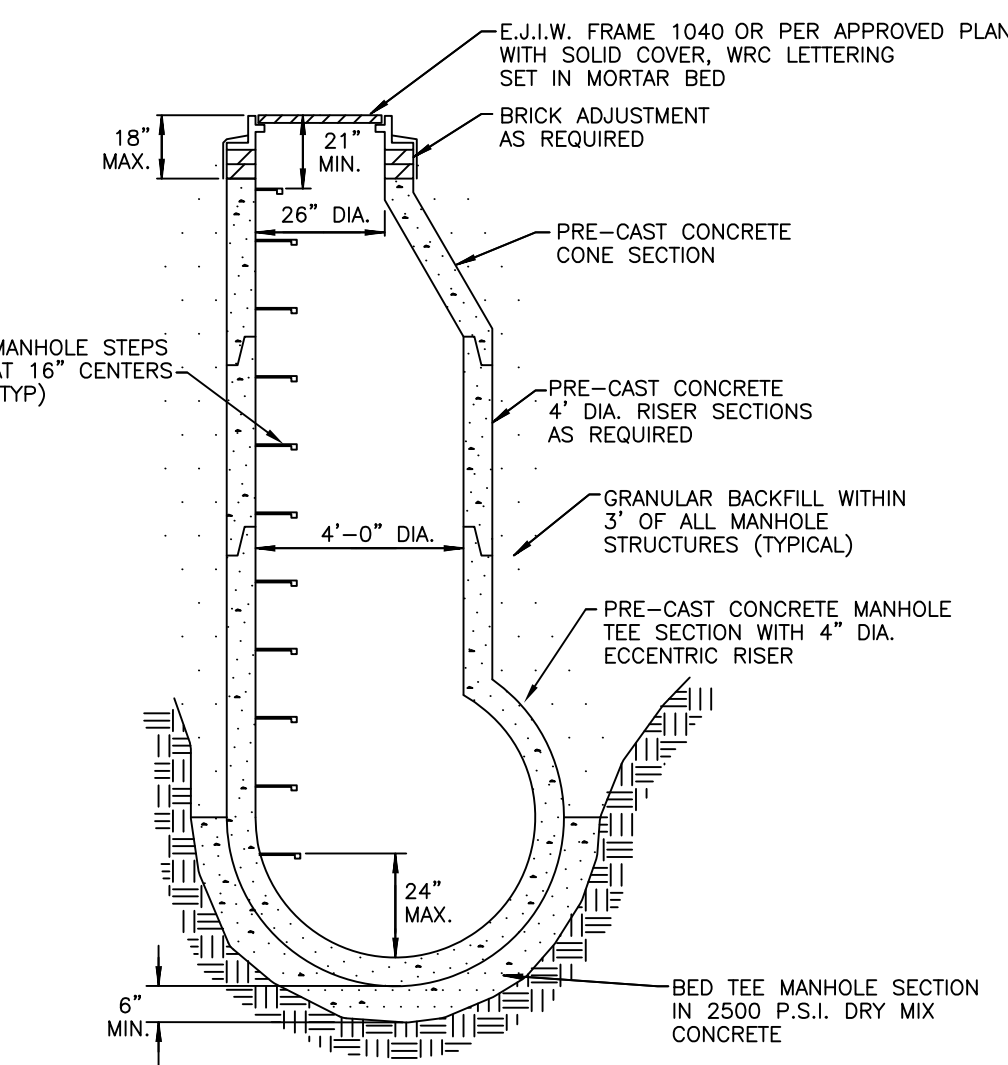
<u>Description</u>	<u>Unit</u>	<u>Quantity</u>	<u>Unit Price</u>	<u>Bid Price</u>
Remove Exist. 42" Concrete Flared End Section	EA	1	_____	_____
Remove Exist. 12" Concrete Flared End Section	EA	2	_____	_____
42" Concrete Flared End Section	EA	1	_____	_____
12" Concrete Flared End Section	EA	1	_____	_____

Prospective bidders should review the site, determine condition and usability of existing concrete end sections prior to bid submittal. Should any or all of the above items be necessary to complete the Work, they would replace related items from the original bid.

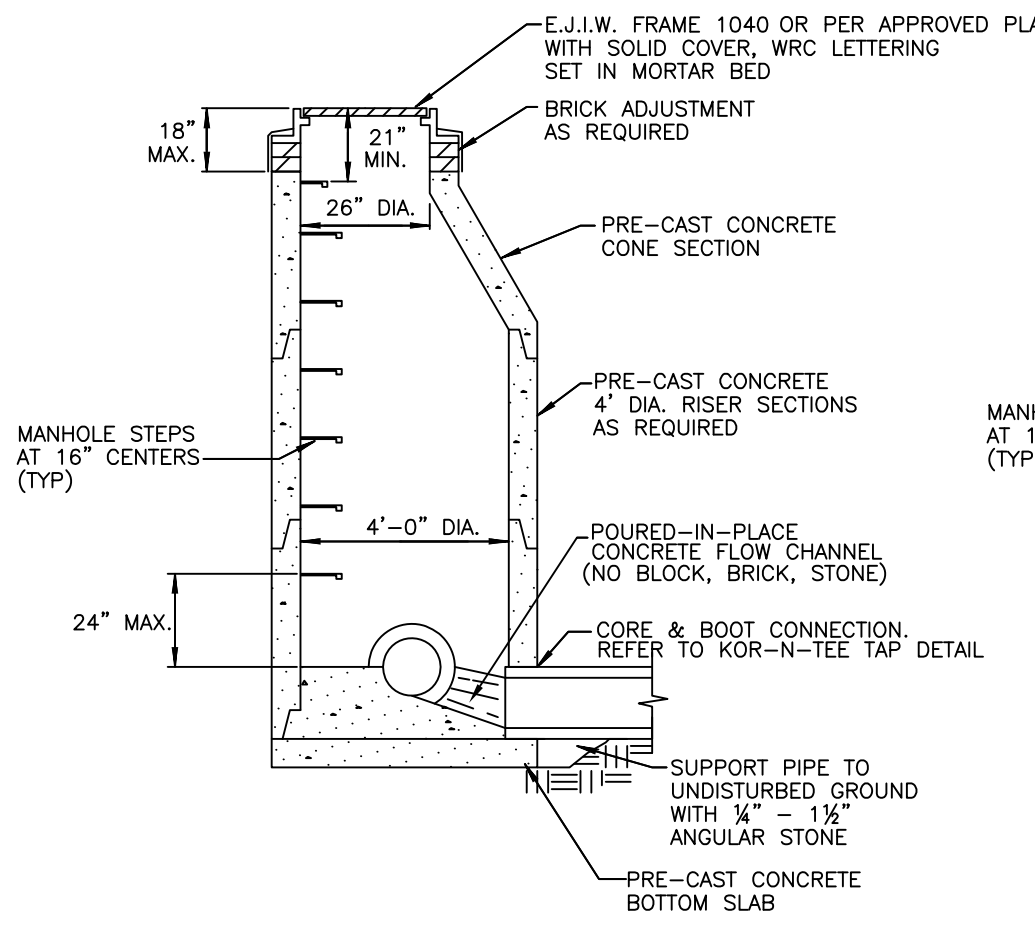
An additional storm sewer drawing detail sheet from the Oakland County Water Resources Commission has been added to the plan drawings. Any conflicting details shall defer to county standards unless determined by the Engineer as meeting or exceeding county requirements. This information is available on the City of Walled Lake Website, under Public Notices as Greenaway Drain Enclosure – Addendum 1.



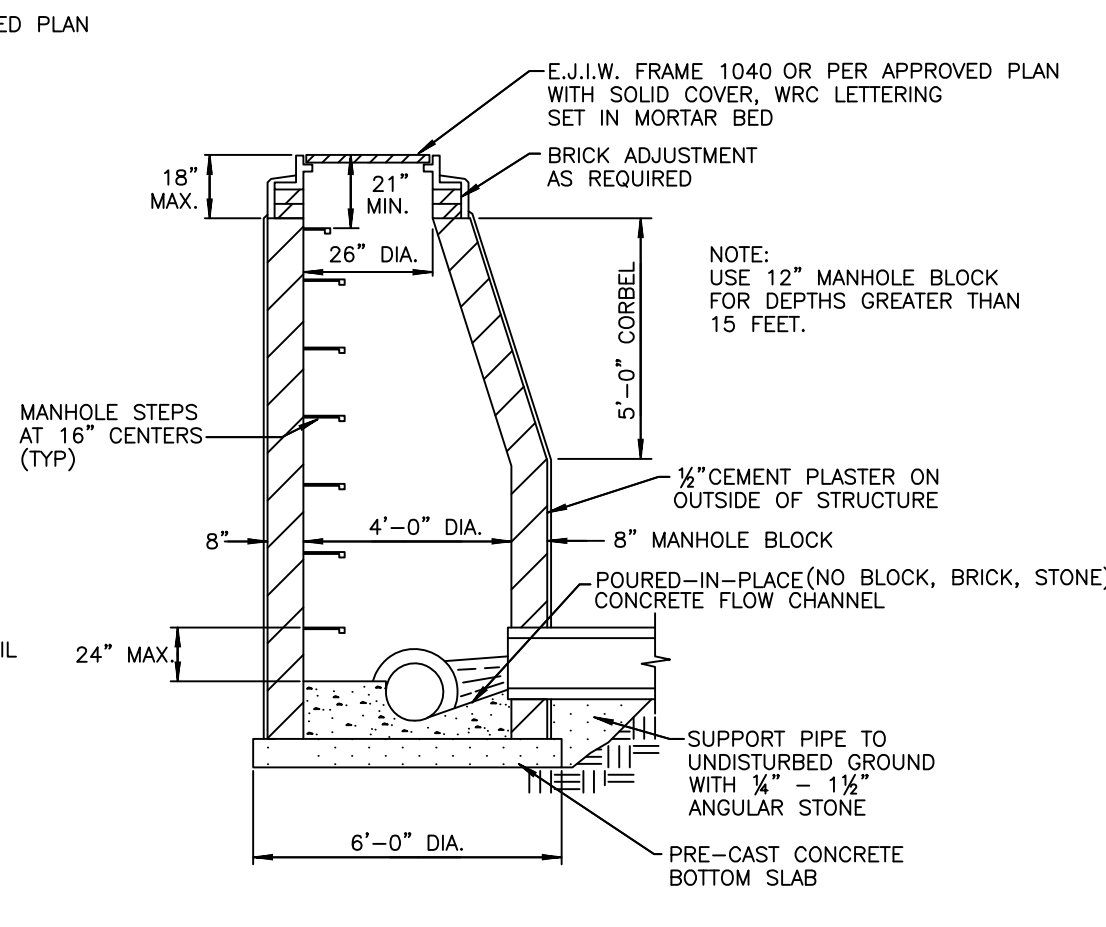
HOUSE LEAD DETAIL FOR 4" DIA. PLASTIC SUMP PUMP LEADS
NO SCALE



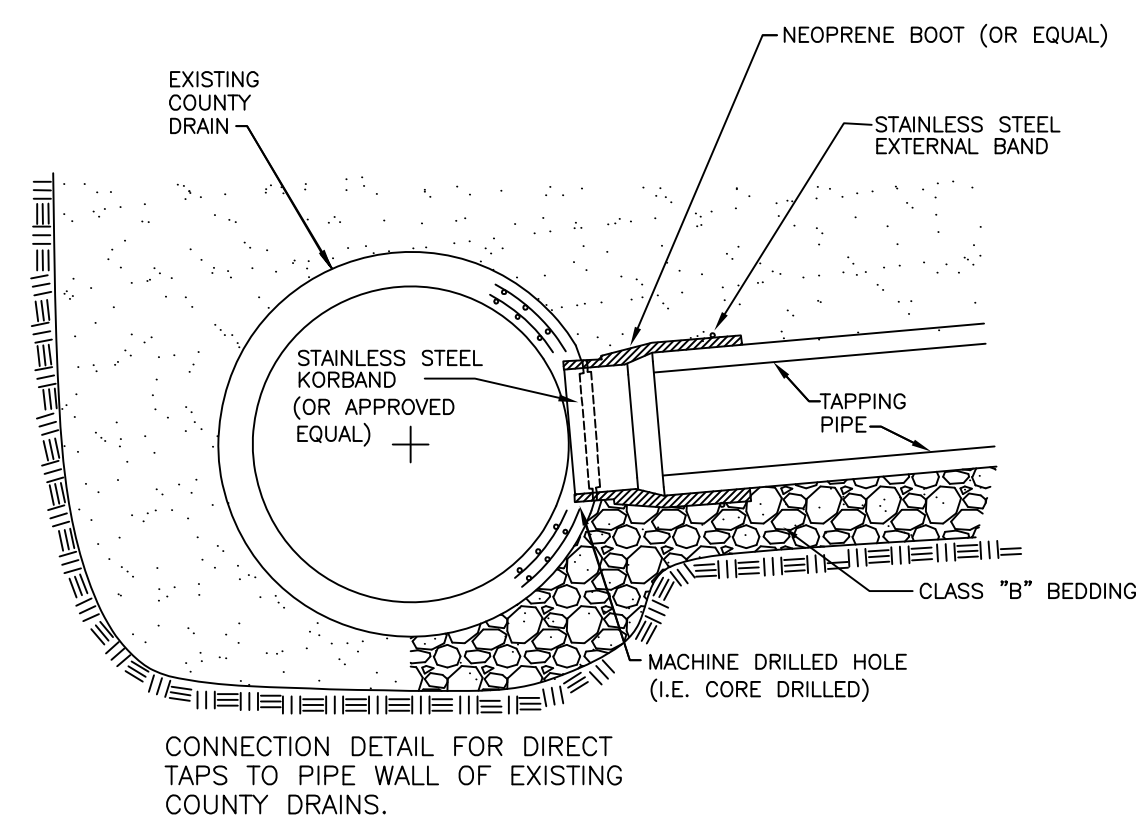
PRE-CAST TEE MANHOLE DETAIL
NO SCALE



STANDARD MANHOLE DETAILS
NO SCALE

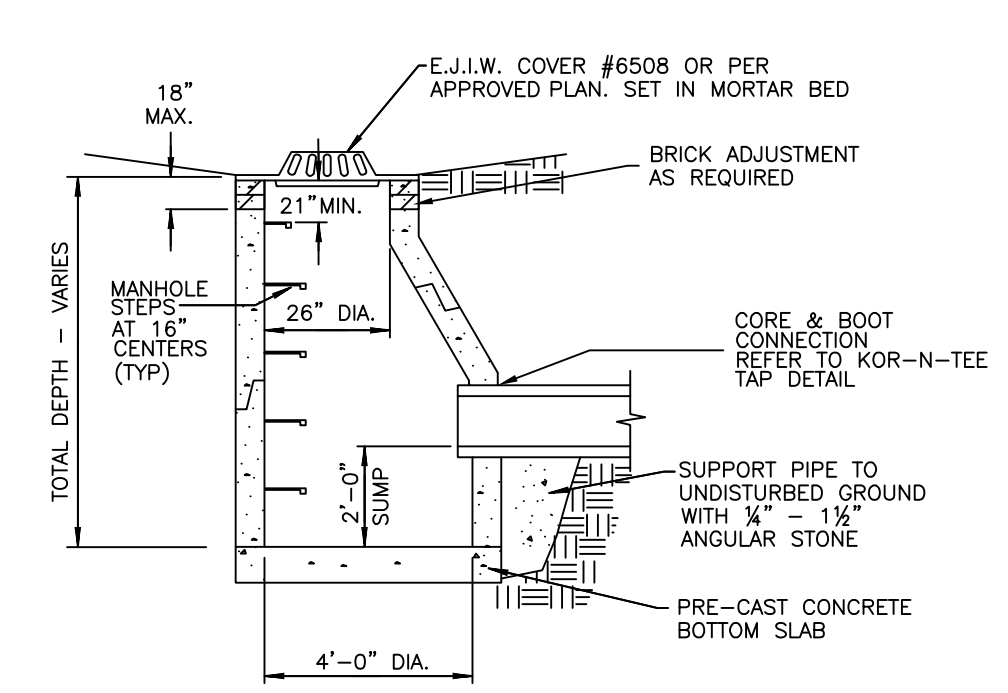


BLOCK MANHOLE (PRIOR APPROVAL ONLY)
NO SCALE

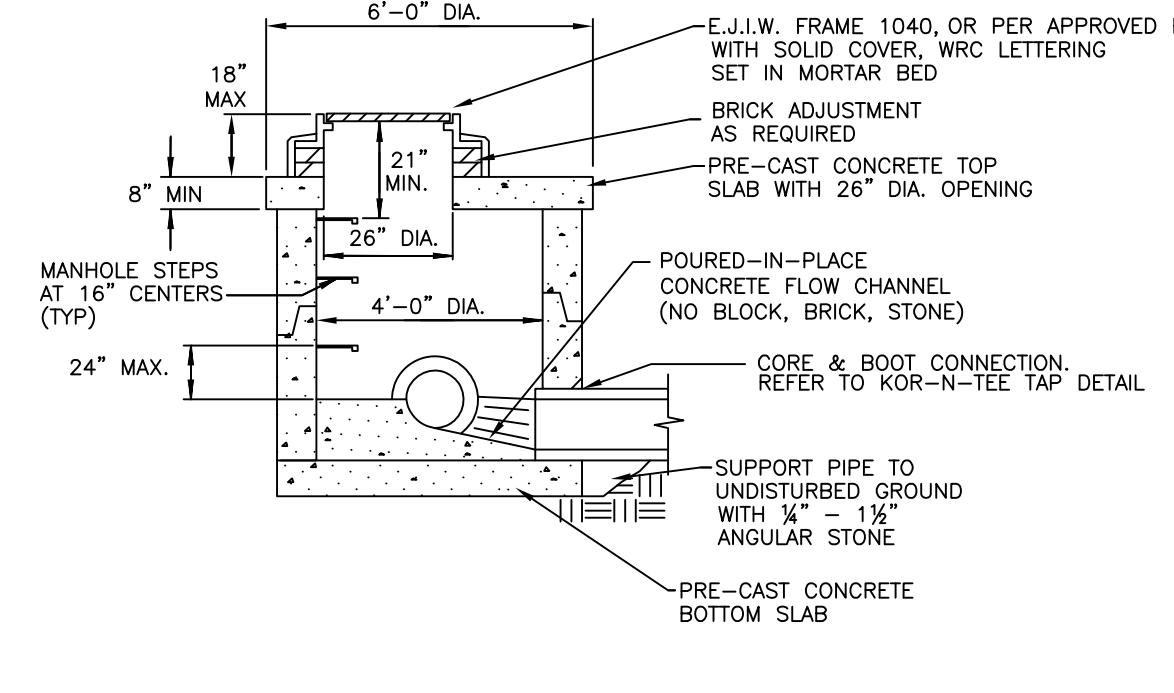


KOR-N-TEE TAP (OR APPROVED EQUAL)
NO SCALE

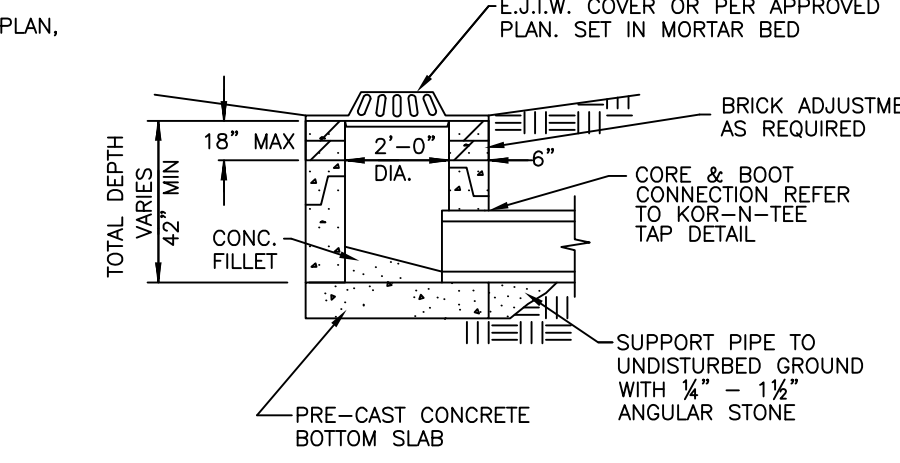
* For non-concrete to concrete taps.
* Use link-seal, A-lock or approved equal for concrete to concrete taps.



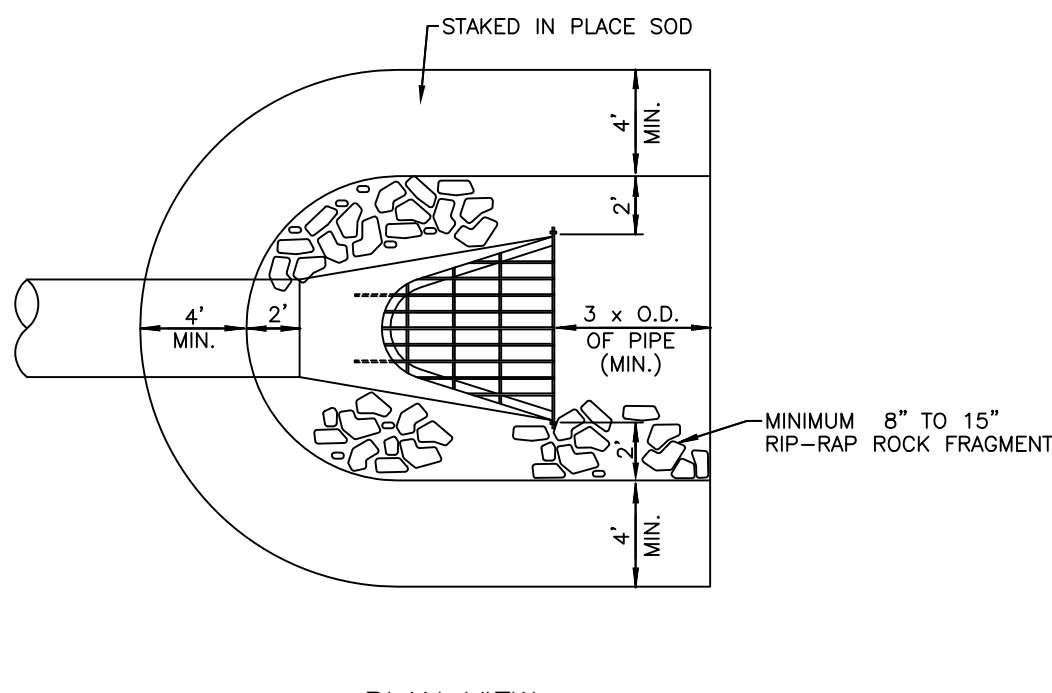
PRE-CAST CATCH BASIN DETAIL
NO SCALE



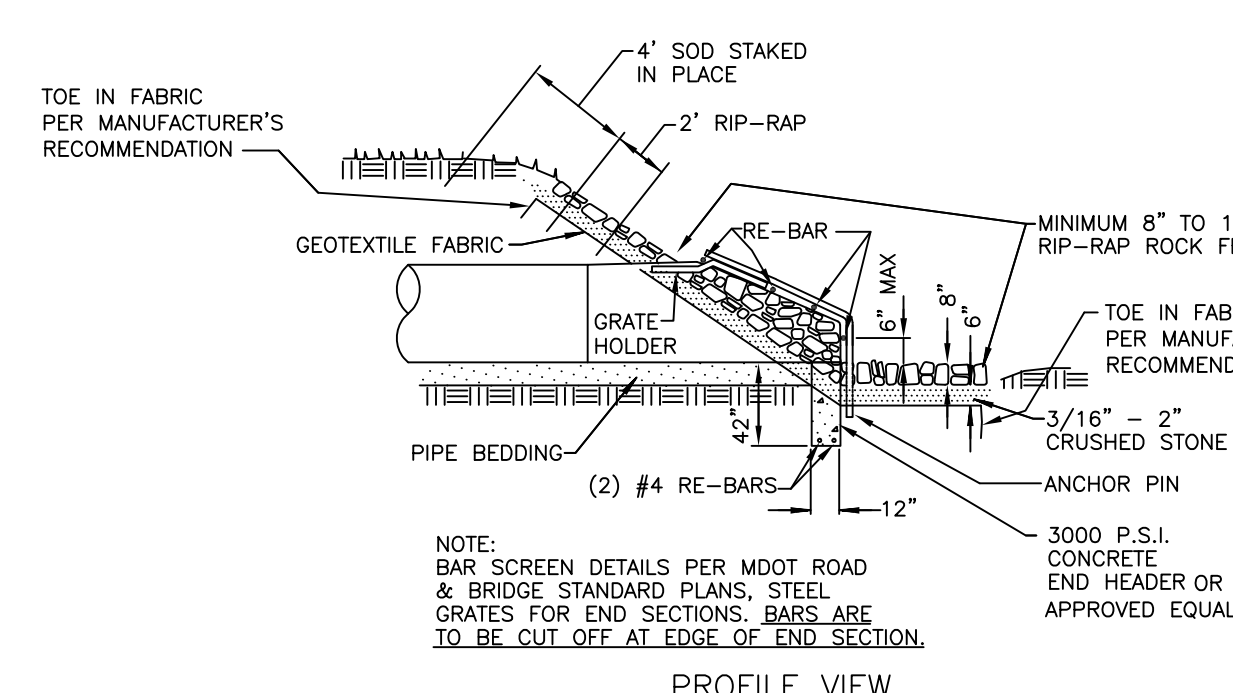
PRE-CAST LOW HEAD MANHOLE DETAIL
NO SCALE (PRIOR APPROVAL ONLY)



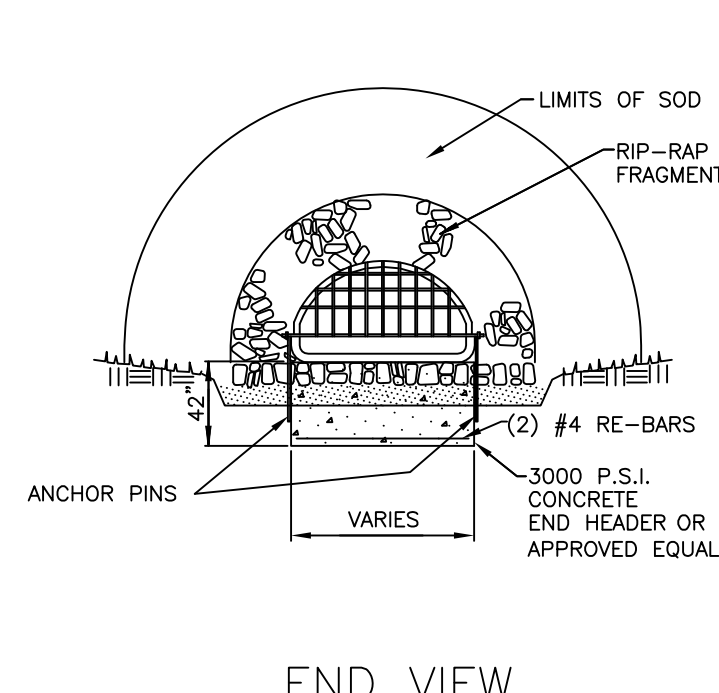
PRE-CAST INLET DETAIL
NO SCALE



PLAN VIEW

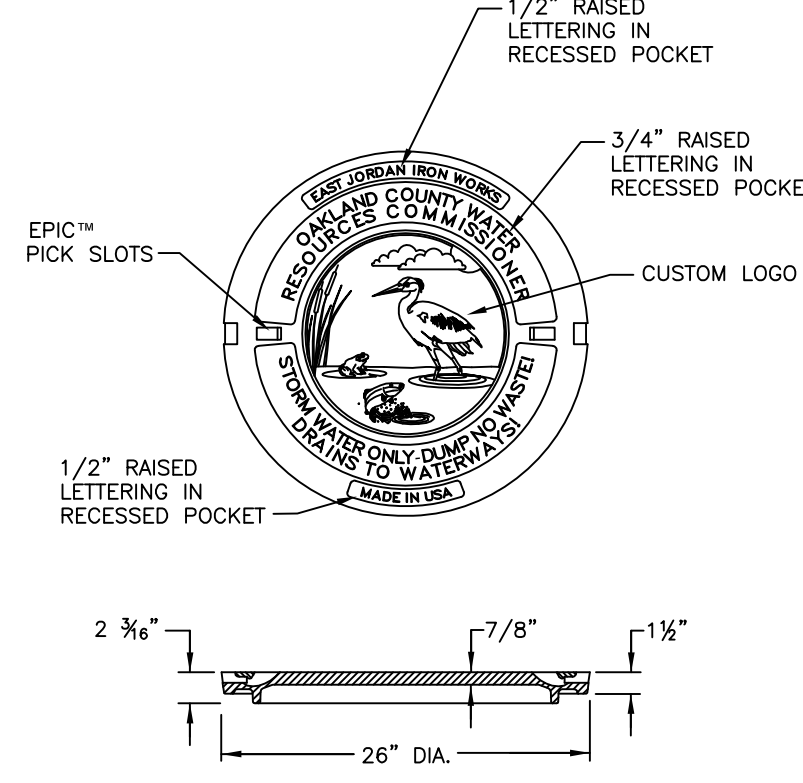


PROFILE VIEW



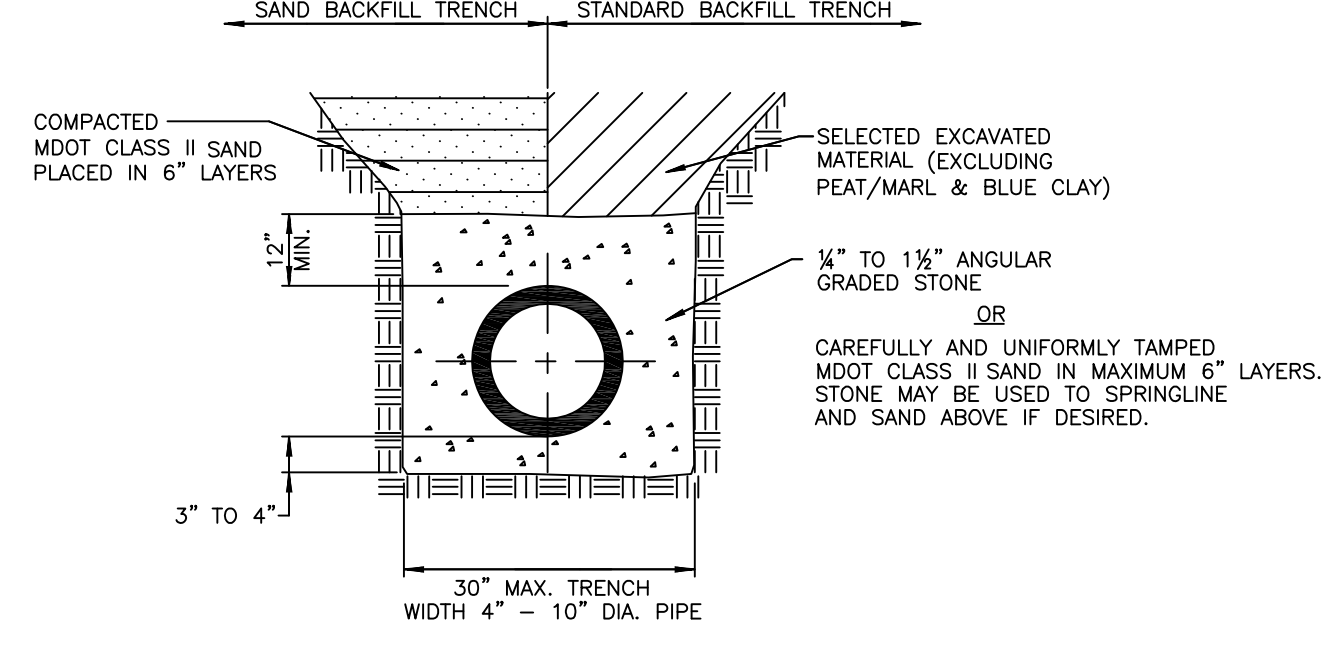
END VIEW

END SECTION AND BAR SCREEN DETAIL
NO SCALE

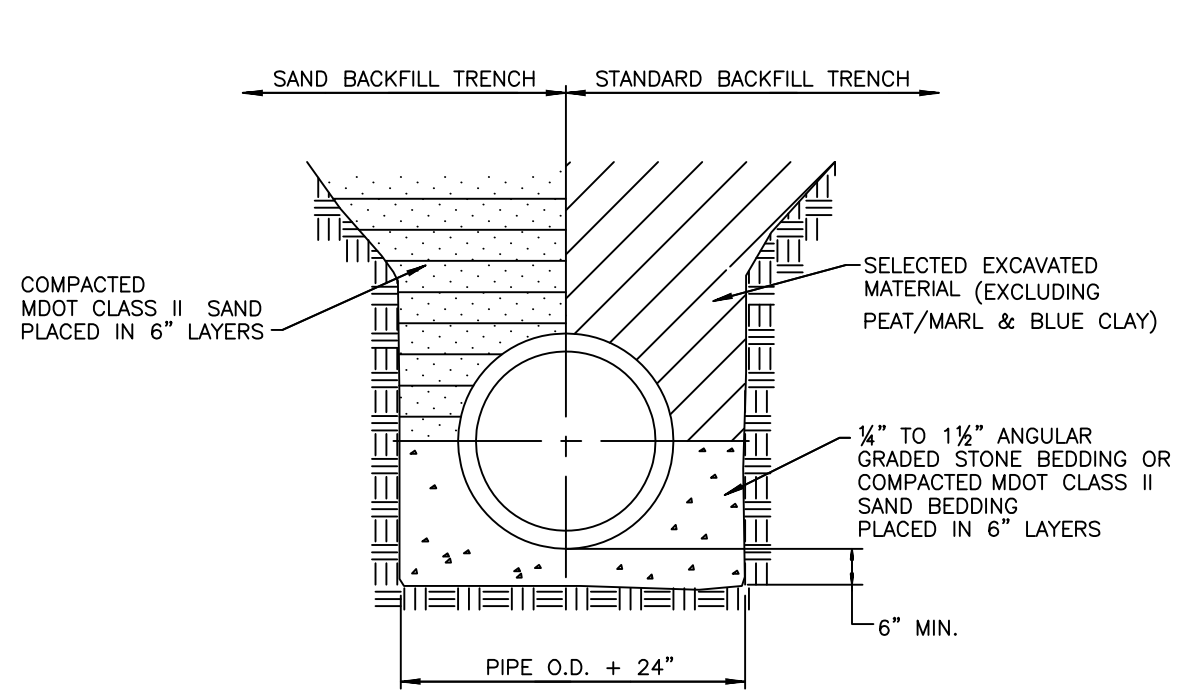


LETTERED MANHOLE COVER FOR WRC
NO SCALE

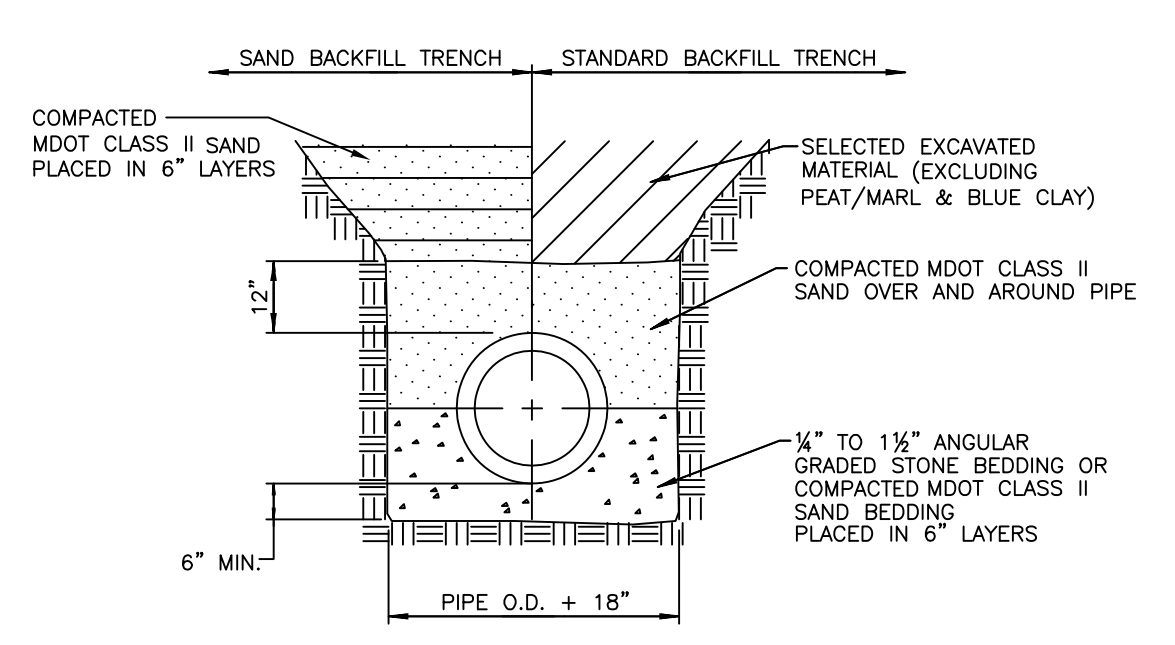
EAST JORDAN IRON WORKS OR APPROVED EQUAL
HEAVY DUTY MATERIAL ASTM A48 CL35B
CATALOG NO. 1040A
PATTERN NO. 1040A, PRODUCT NO. 104718 OAKCOSTD.
2" HIGH RAISED LETTERS, 1" WIDE RAISED LETTERS
ALL IN RECESSED POCKET.



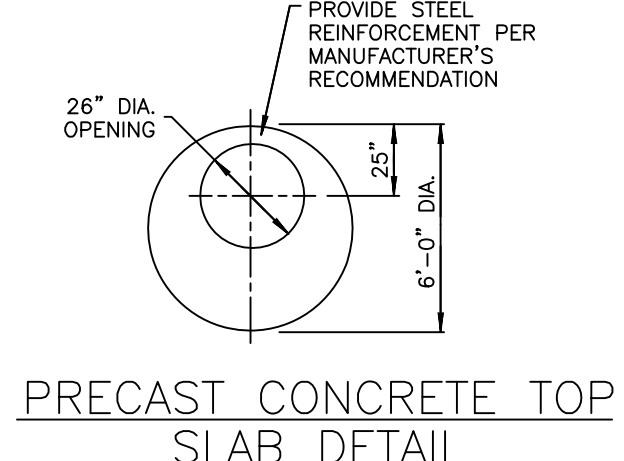
CLASS "B" BEDDING TRENCH DETAIL FOR 27" DIAMETER AND LARGER CONCRETE PIPE
NO SCALE



CLASS "B" BEDDING TRENCH DETAIL FOR 24" DIAMETER AND SMALLER CONCRETE PIPE
NO SCALE



CLASS "B" BEDDING TRENCH DETAIL FOR 24" DIAMETER AND SMALLER CONCRETE PIPE
NO SCALE



PRECAST CONCRETE TOP SLAB DETAIL

GENERAL NOTES

- Type and class of pipe shall be as specified on plans.
- Class "B" bedding shall be used throughout, unless otherwise specified on the plan.
- All end sections 18" and larger shall be provided with a bar screen unless otherwise approved.
- Standard rip-rap shall be 8"-15" fragmented rock, heavy rip-rap shall be 16"-24" fragmented rock. (No Broken Concrete)
- MANHOLE REQUIREMENTS:
 - All new catch basins, inlets, and manholes are to be manufactured to ASTM C-478 specifications.
 - All new catch basins, inlets, and manholes shall have WRC approved flexible, watertight seals where pipes pass through walls. Manholes shall be of precast sections with modified groove tongue and rubber gasket type joints. Pre cast manhole cone sections shall be WRC approved modified eccentric cone type.
 - Taps through manhole joints or cone sections are prohibited unless otherwise approved.
 - Manhole steps to be plastic coated steel meeting the requirements in ASTM D 2146, Type II, Grade 49108, MA. Industries P.S.I. Polypropylene, (or approved equal). Steps to be installed during manhole manufacture. Place at 16" centers 45" from centerline of sewer.
 - Cone section with modified groove tongue joints and with stud inserts cast in place. Top to have flush surface.
 - ASTM C-478 riser section with modified groove tongue joints.
 - Res-seal, link-seal, press wedge II, or kor-n-seal boot (with stainless steel korband) flexible rubber manhole joints. (or approved equal).
 - The inside joints of manholes, catch basins, and pipe sizes over 42" and larger in diameter shall be pointed up with mortar upon completion of backfilling.
- CONCRETE PIPE REQUIREMENTS:
 - Concrete pipe to be per ASTM C76 standards.
 - It will be required to TV all pipe 30 days after installation
 - The contractor shall provide reinforced concrete pipe as specified on the plans.
 - All reinforced concrete pipe shall have modified grooved tongue joints with o-ring type rubber gasket, per A.S.T.M. specifications C443.
 - The inside joints of manholes, catch basins, and pipe sizes over 42" and larger in diameter shall be pointed up with mortar upon completion of backfilling.
- SUMP PUMP LEAD REQUIREMENTS:
 - All sump pump leads connected to a County Drain pipe shall be pre-manufactured.
 - Sump pump leads connected to a manhole shall be cored and booted. Refer to Kor-N-tee Tap Detail.
 - Sump pump mains and leads shall be ADS (truss and solid wall), PVC (truss, solid wall, A2000), ADS N-12 WT with premium joints.
 - Ends of all 4" sump pump leads shall be temporarily capped and their location staked, witnessed and recorded.
 - All sump pump leads to be taken to the property line, easement line or as indicated on the plan.
 - Sump pump mains must have a cleanout with a minimum inside diameter of 24" and be constructed at changes of alignment, ends of sump pump mains or as indicated on the plan.
- RESTORATION REQUIREMENTS:
 - All disturbed area within the County Drain right-of-way shall be restored as follows:
 - Under roads, sidewalks, driveways and parking areas, backfill material shall be placed loosely into trenches in six (6) inch layers with each layer compacted to not less than 95% of maximum dry density as determined by the ASTM D 1557 Compaction Standard (modified proctor compaction test). All other areas shall have each layer compacted to not less than 90% of maximum dry density.
 - Finish subgrade
 - Place 3" thickness clean topsoil acceptable to the engineer to attain finished grade. Topsoil must not be contaminated and may not be a mixture of natural underlying soils, subbase materials, or other materials. It must consist of natural loam, sandy loam, silty loam or clay loam humus-bearing soil adapted to the sustenance of plant life. Topsoil must be neither excessively acidic nor excessively alkaline. It must be of mineral origin, exclusive of any peat or muck.
 - Apply seed and fertilizer as follows:

Location	Seeding Requirements	Fertilizer Requirement
Slopes and Ditch, Banks, Etc.	M.D.O.T. "Roadside Mix" Turf Seed Mixture TGM (10% Kentucky Blue, 20% Perennial Rye, 30% Hard Fescue, 40% Creeping Red Fescue) applied at 220 lb/acre	M.D.O.T. Seeding and Sodding Fertilizers, Class A
Other Areas	M.D.O.T. "Roadside Mix" Turf Seed Mixture THM (30% Kentucky Blue, 20% Perennial Rye, 50% Creeping Red Fescue) applied at 220 lb/acre	M.D.O.T. Seeding and Sodding Fertilizers, Class A

STORM DRAIN NOTES AND DETAILS

REVISION BLOCK			
Rev.	By	Date	Description
1	EL	01/17/09	PROPOSED DETAIL CHANGES NEW LOGO
2	EL	01/20/09	APPROVAL PER STANDARDS COMMITTEE
3	EL	02/28/10	REVISED MH COVER DETAIL
4	DS	04/27/10	REVISED GENERAL NOTES

ORIG. DATE:	05/05/97		ONE PUBLIC WORKS DRIVE, BLDG 95 WEST WATERFORD, MICHIGAN 48328-1907
SCALE:	NONE		
DESIGNED BY:	WRC		SHEET NO.:
DRAWN BY:	Mapping	Jim Nash	